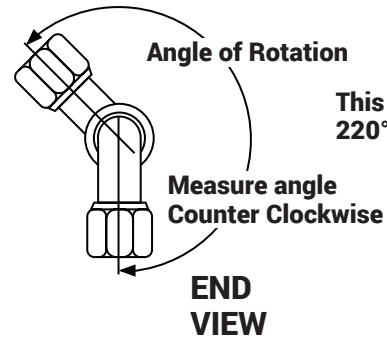


TWIST ANGLE CHART

Angle of Rotation: Measure the angle counter clockwise (measured in degrees)

Angular Relationship:

- Hold the assembly so that you can look along the length of the hose and with the fitting furthest away from you in the downwards position.
- Measure the angle between the vertical fitting and the one nearest to you in a counterclockwise direction to the centerline of the far end. Relationship can then be expressed from 0° to 360°.



This is an example of a 220° angle of rotation.

